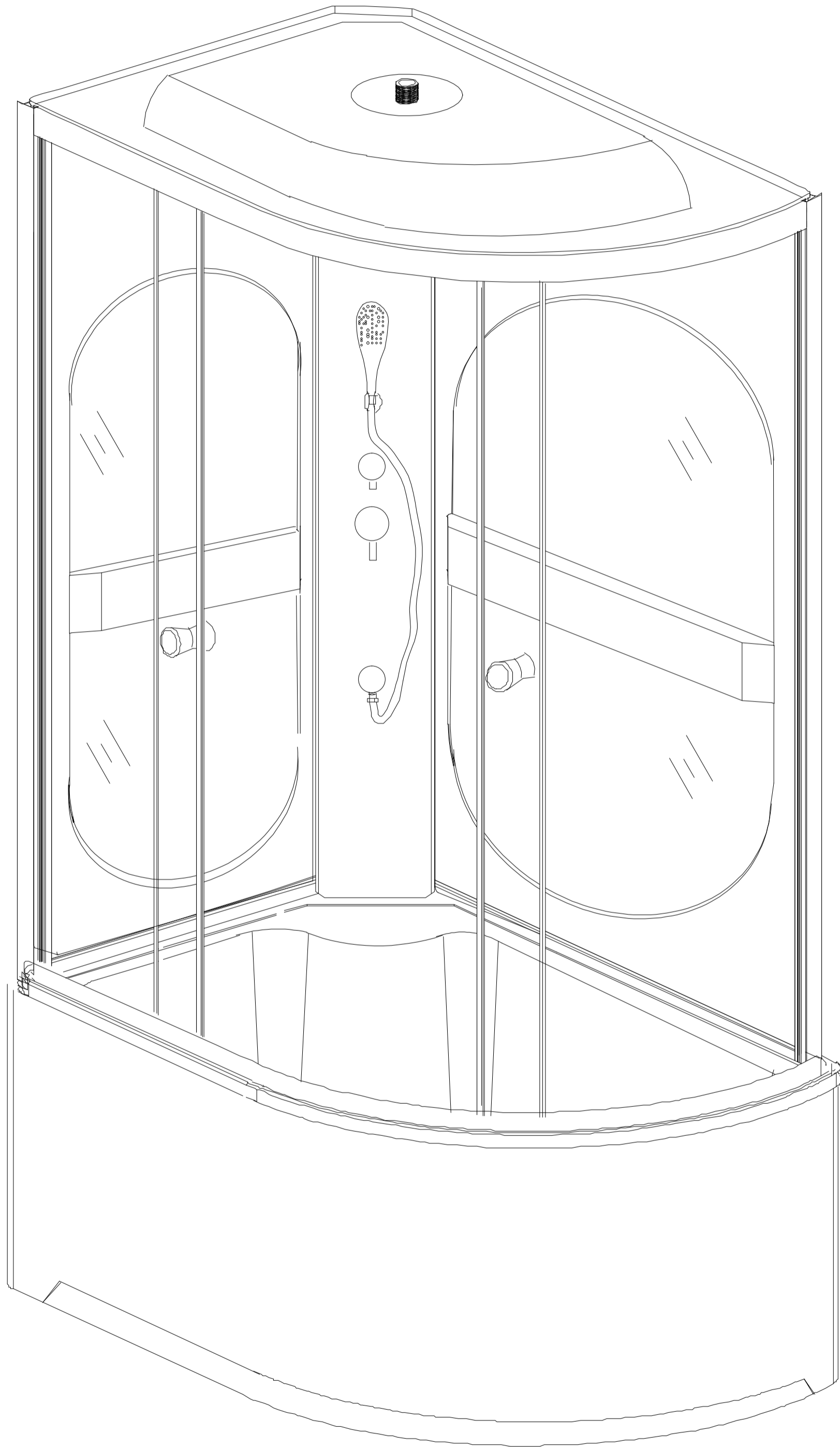
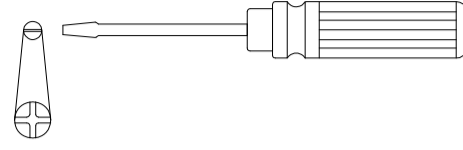
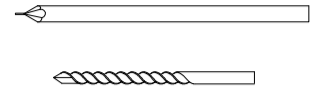
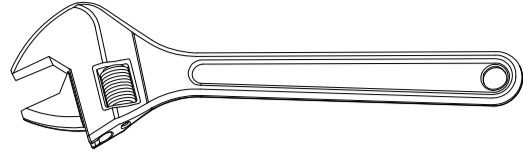
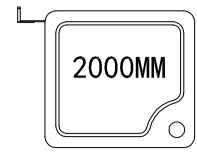
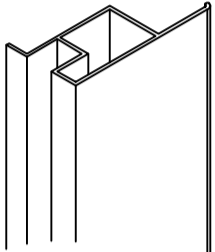
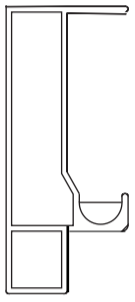
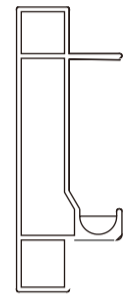
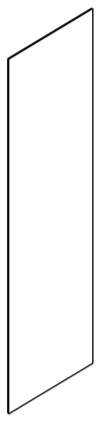
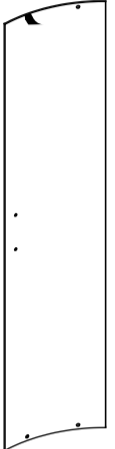
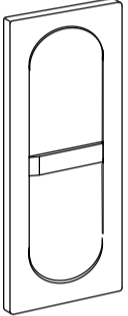
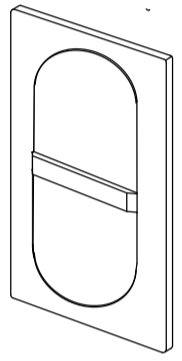
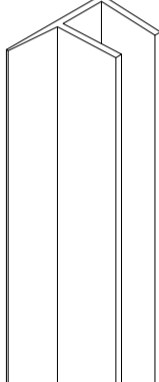
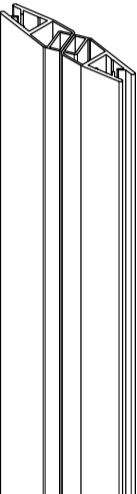
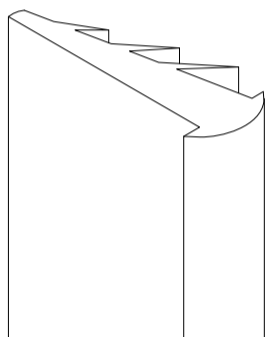

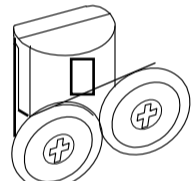
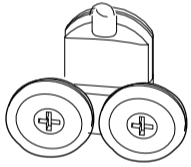
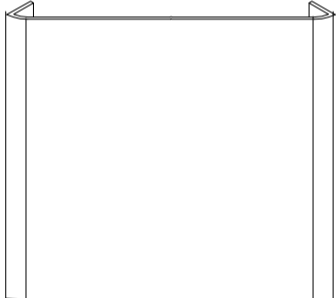
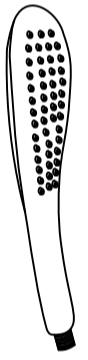
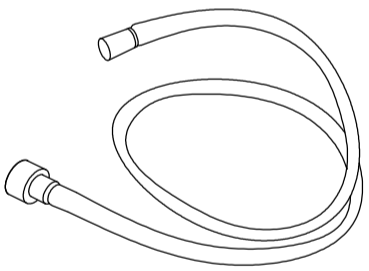


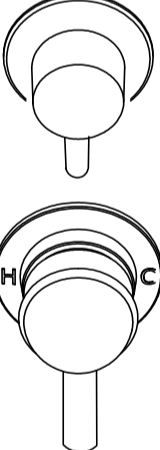
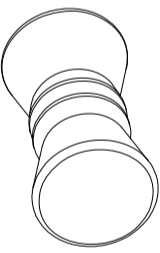
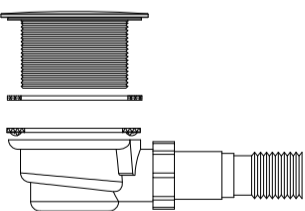
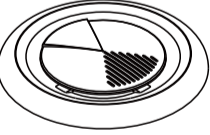
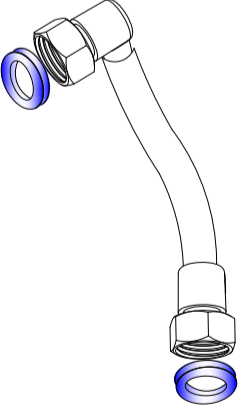
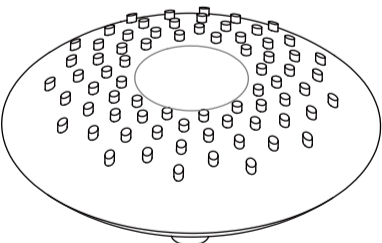



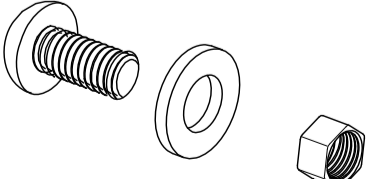



L620L/R



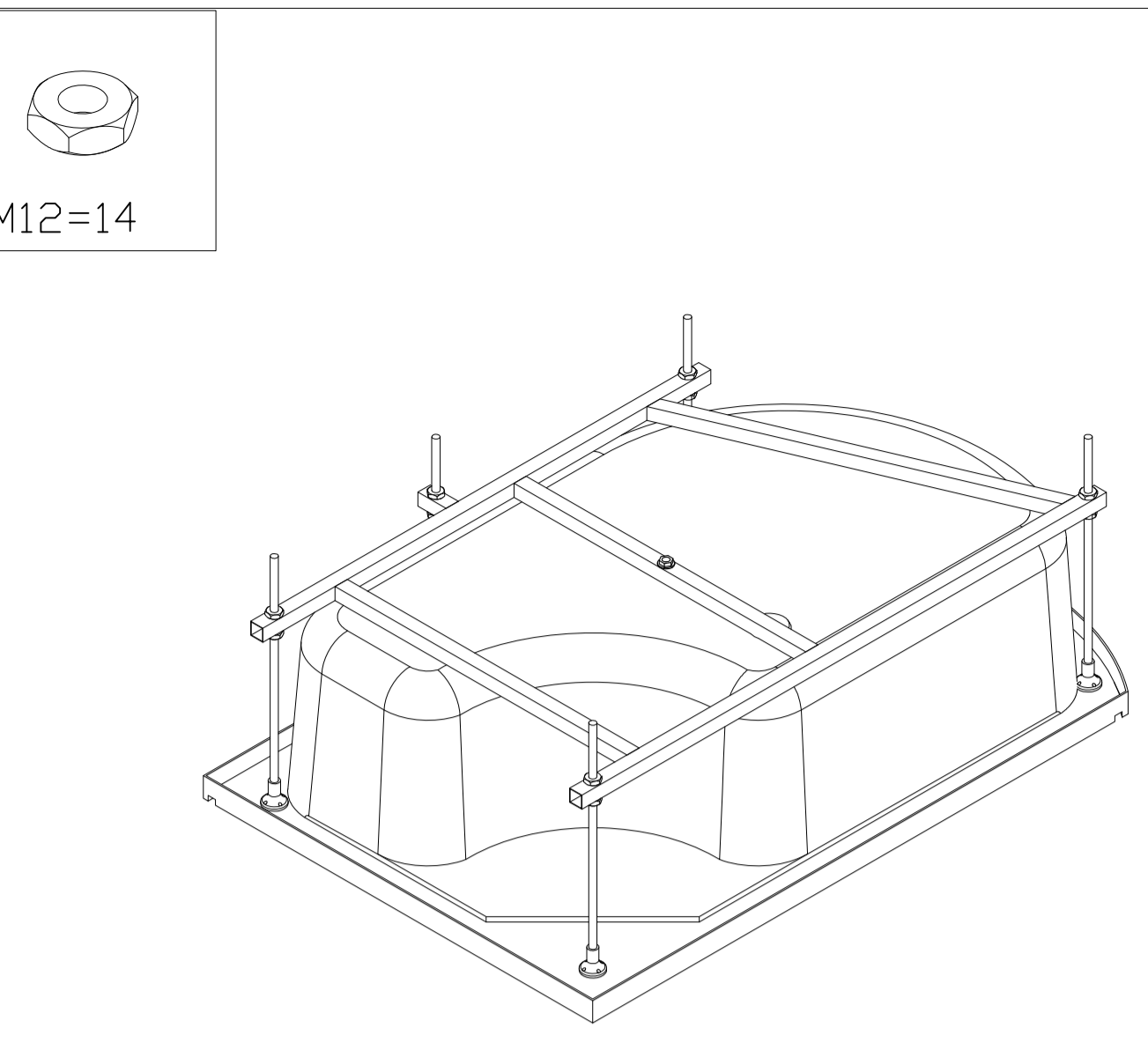
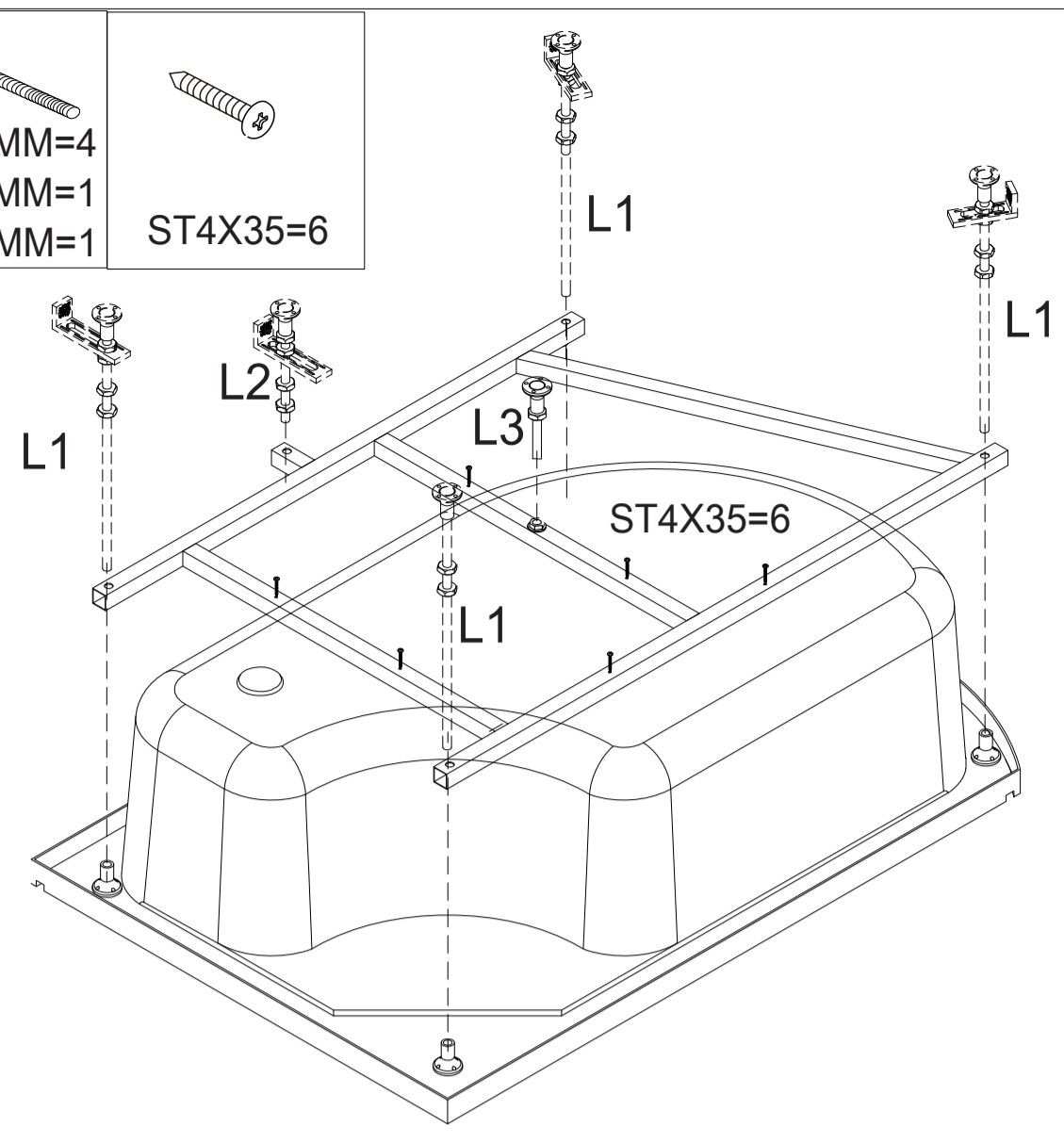


<p>A1</p>  <p>X2</p>	<p>A2</p>  <p>X1</p>	<p>A3</p>  <p>X1</p>	<p>A4</p>  <p>X2</p>	<p>A5</p>  <p>X2</p>
<p>A6</p>  <p>X1</p>	<p>A7</p>  <p>X1</p>	<p>A8</p>  <p>X4</p>	<p>A9</p>  <p>X1</p>	<p>A10</p>  <p>X3</p>
<p>A11</p>  <p>X4</p>	<p>A12</p>  <p>X4</p>	<p>A13</p>  <p>X4</p>	<p>A14</p>  <p>X1</p>	<p>A15</p>  <p>X1</p>
<p>A16</p>  <p>X1</p>	<p>A17</p>  <p>X1</p>	<p>A18</p>  <p>X1</p>	<p>A19</p>  <p>X1</p>	<p>A20</p>  <p>X2</p>
<p>A21</p>  <p>X1</p>	<p>A22</p>  <p>X2</p>	<p>A23</p>  <p>X2</p>	<p>A24</p>  <p>X1</p>	<p>A25</p>  <p>X4</p>
<p>A26</p>  <p>X2</p>	<p>ST4X12=4  M4X25=2 </p>	<p>ST4X50=8 ST4X12=8 ST4X10=32 </p>		

L1=440MM=4
L2=180MM=1
L3=130MM=1

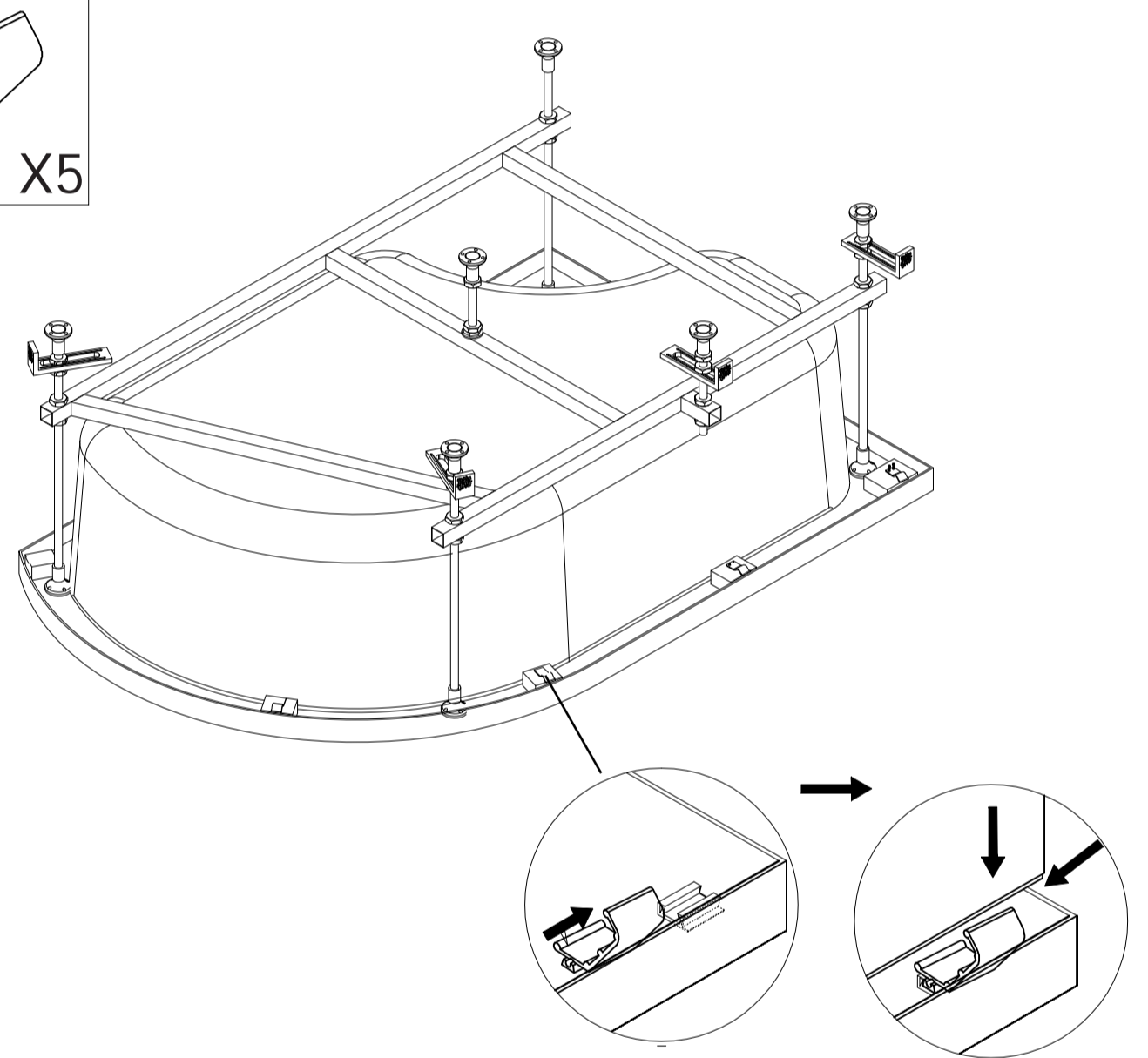
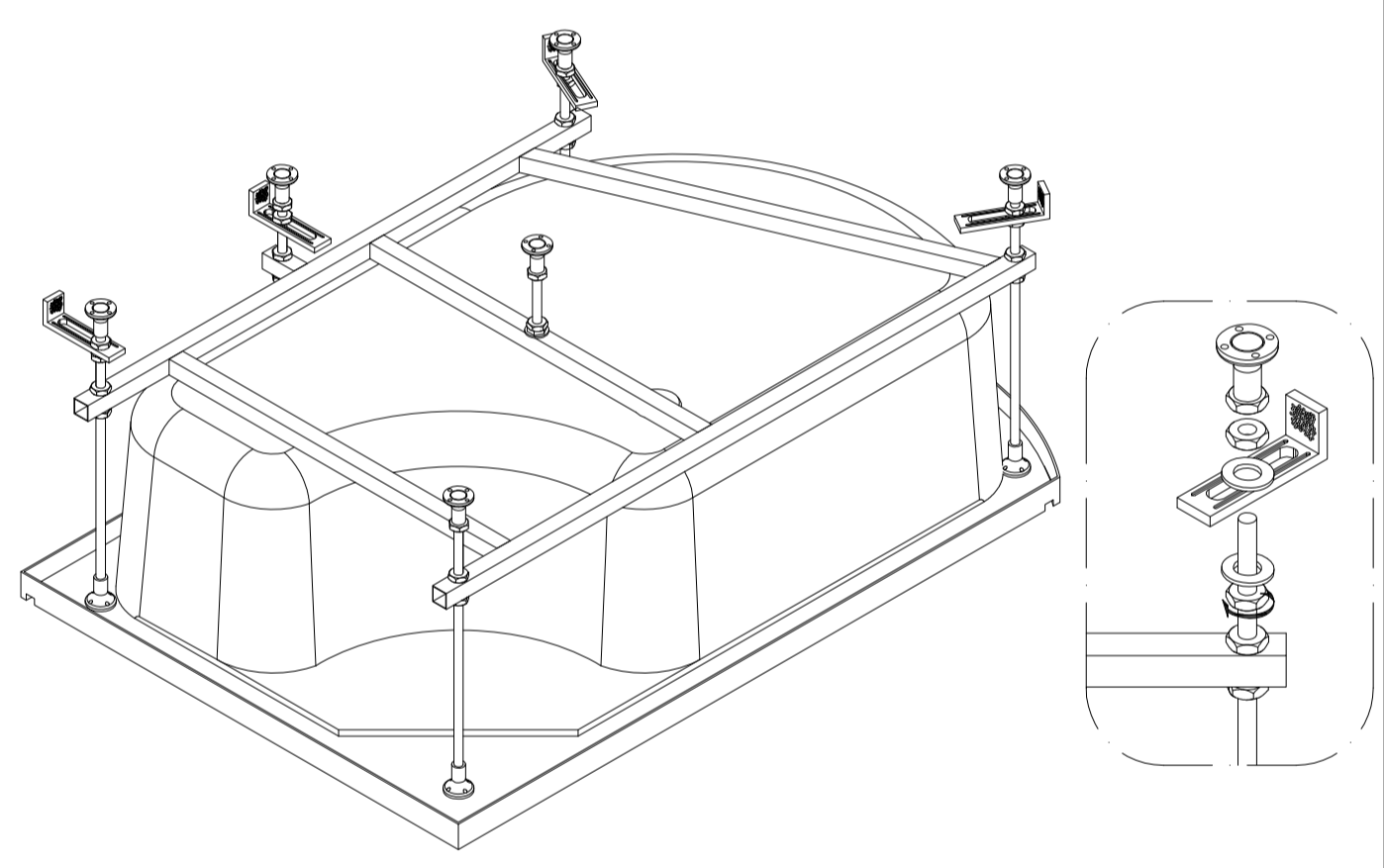
ST4X35=6

M12=14



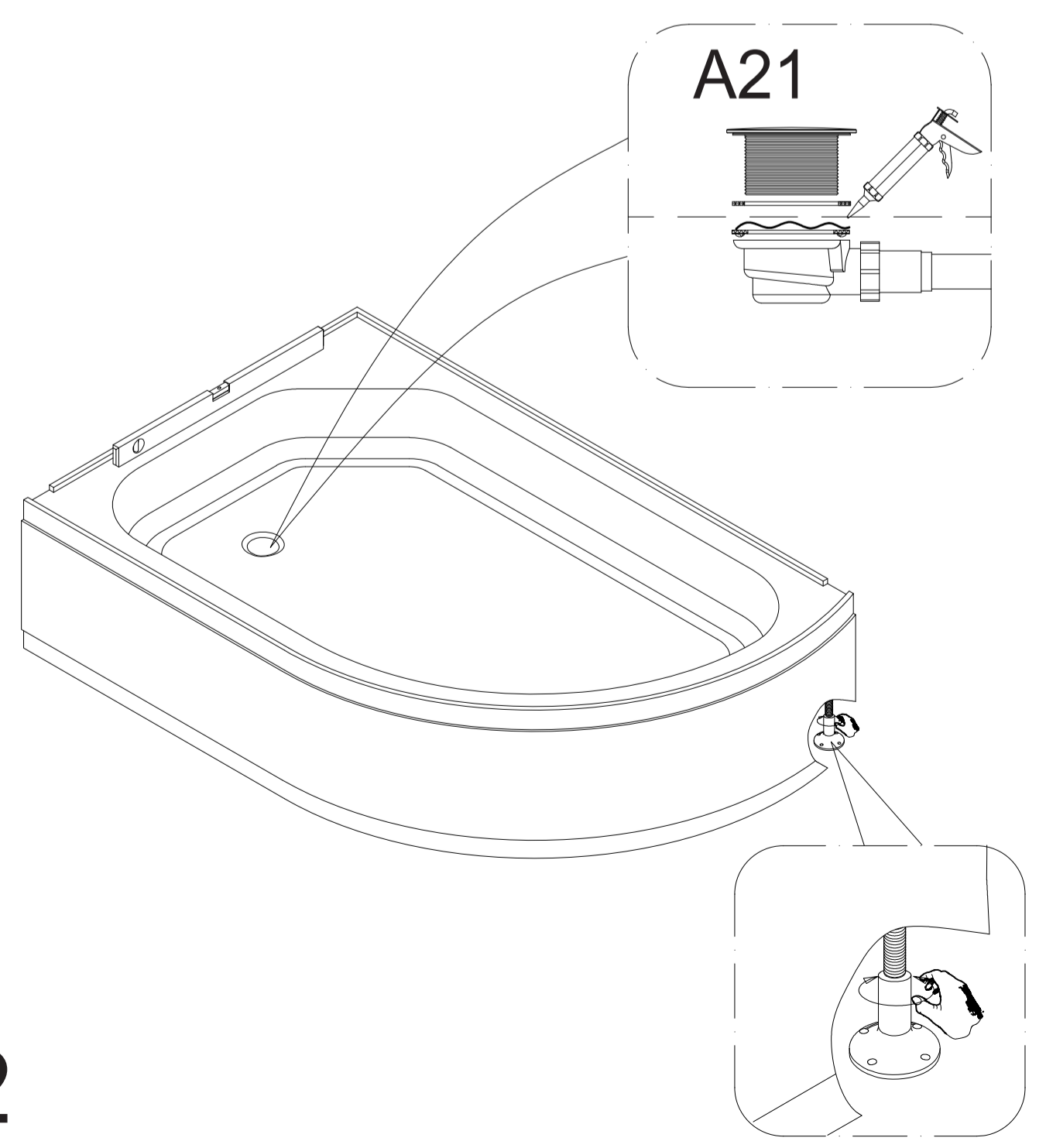
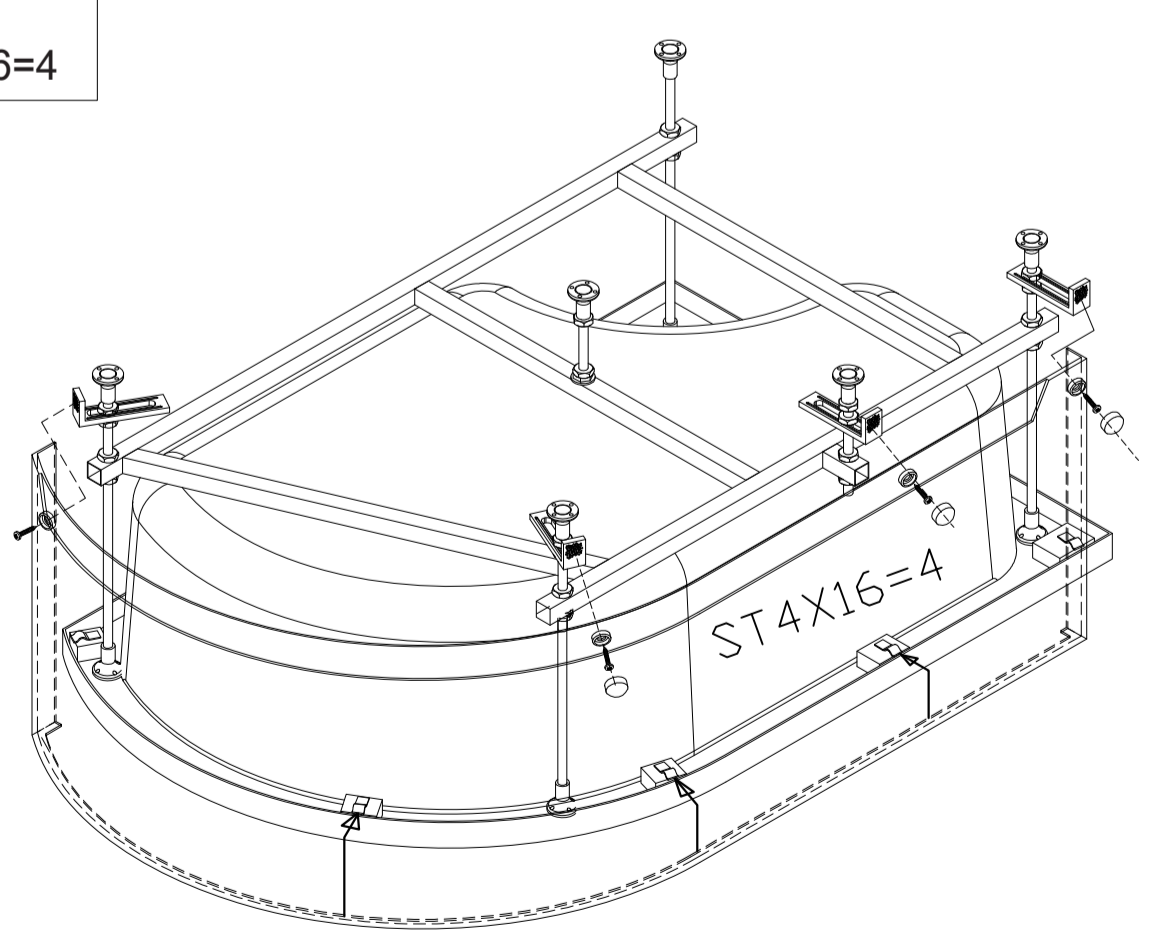
M12=15
M12=8
X6
X4

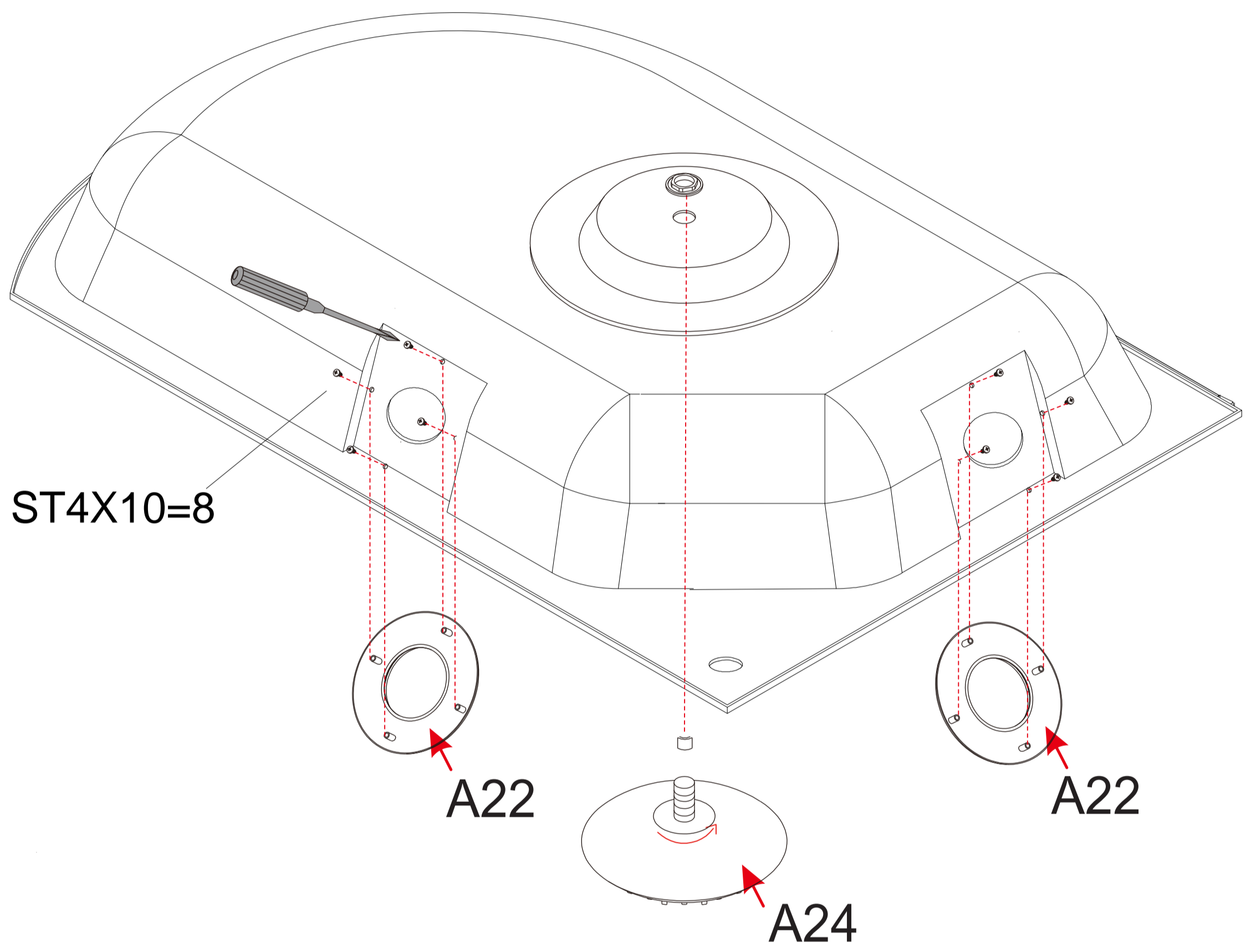
X5

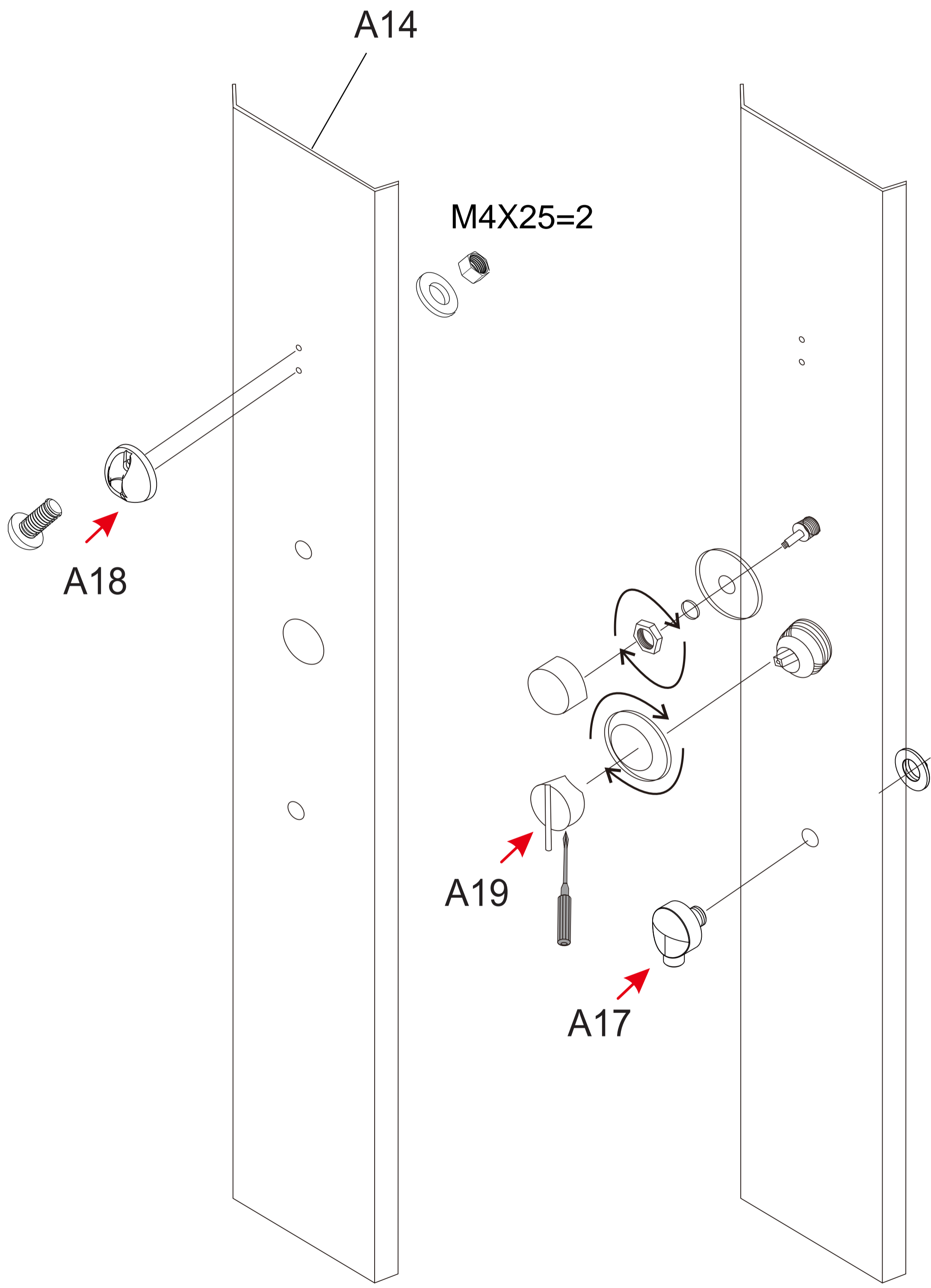


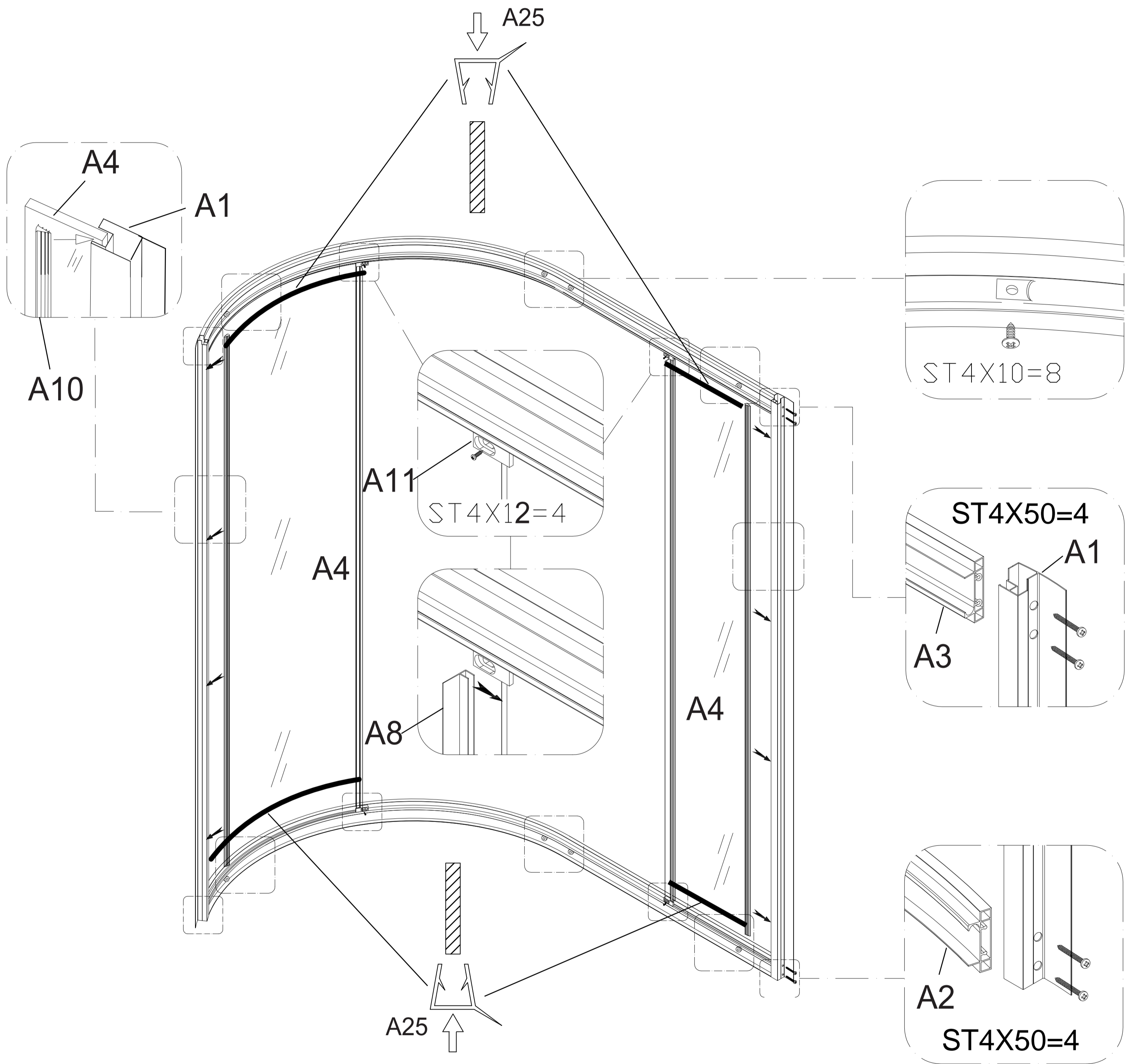
ST4X16=4

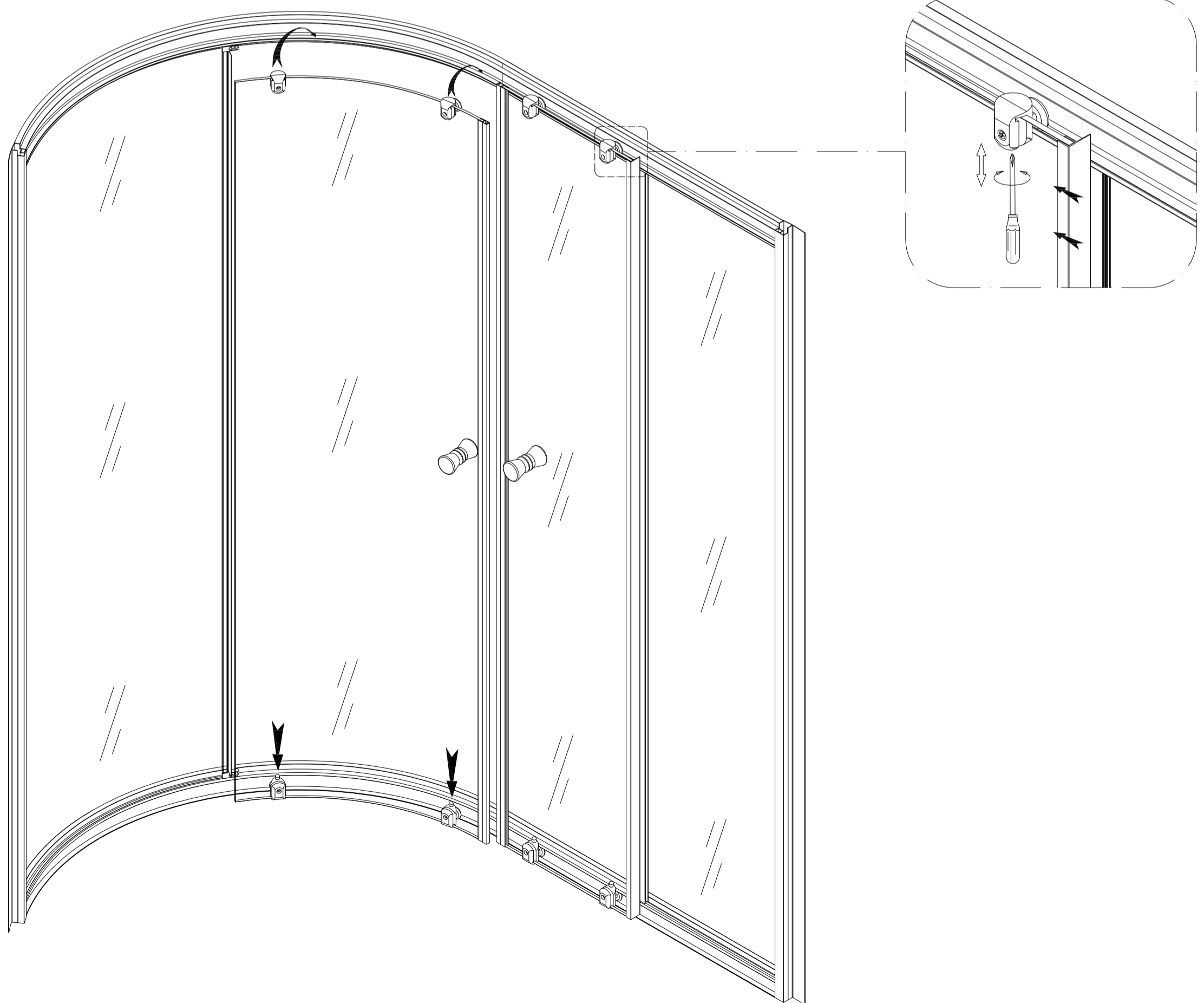
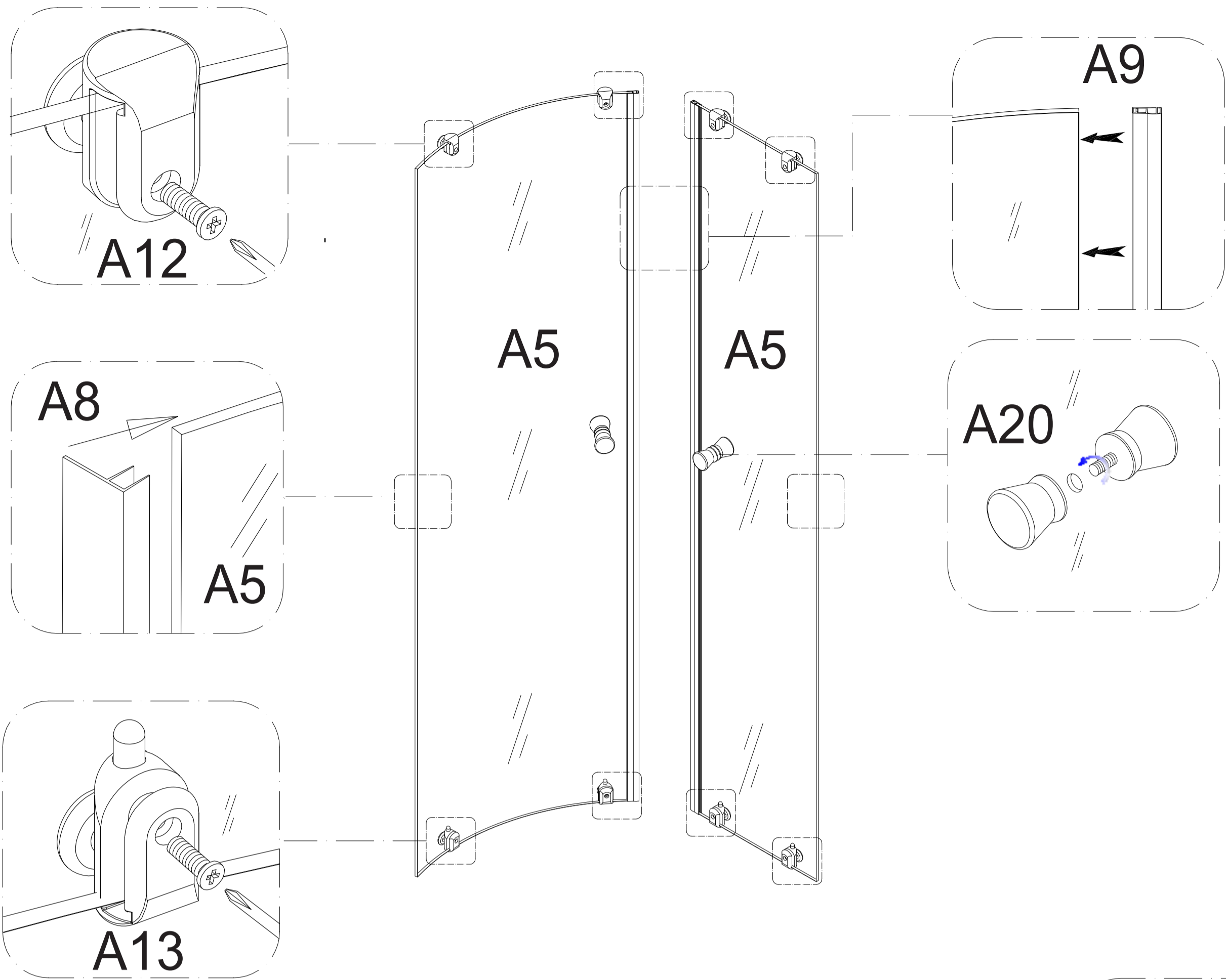
A21

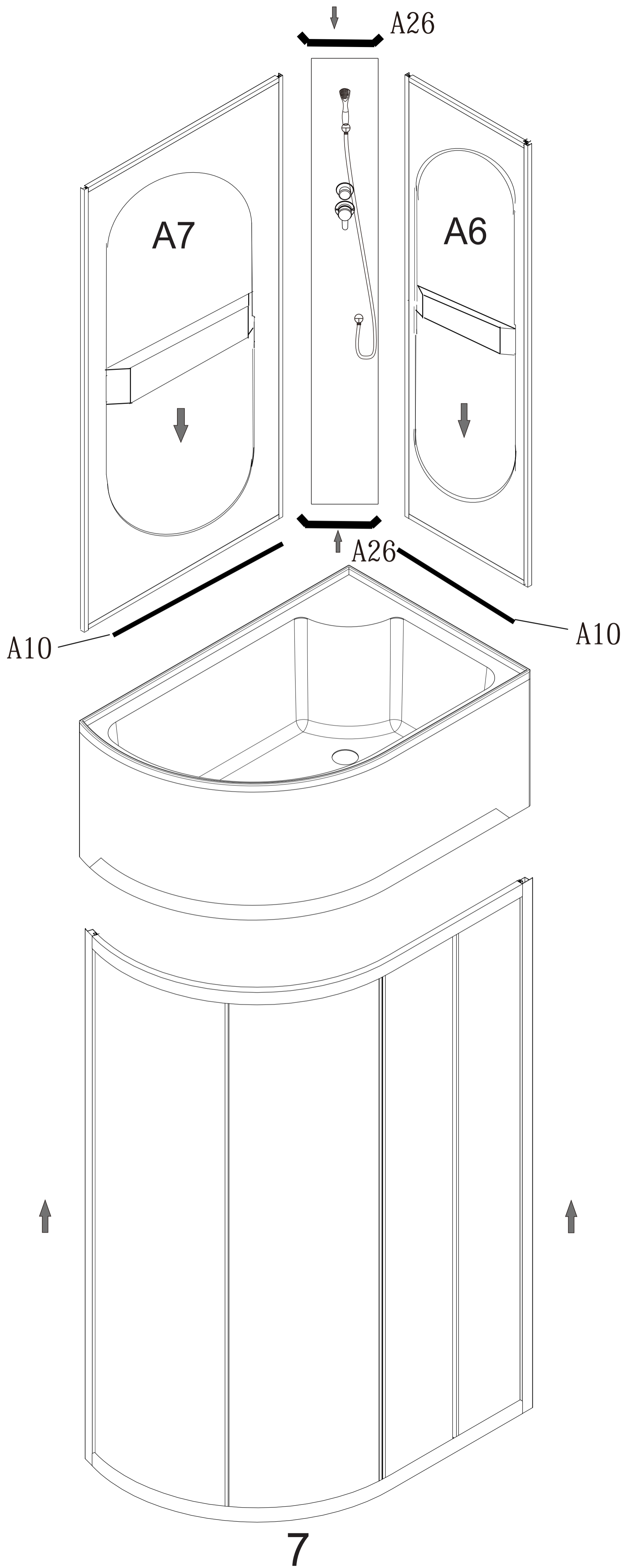


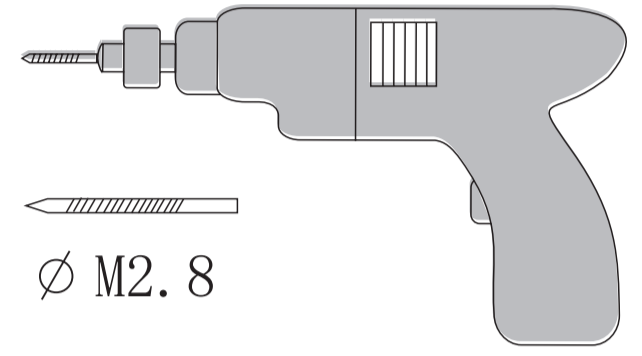
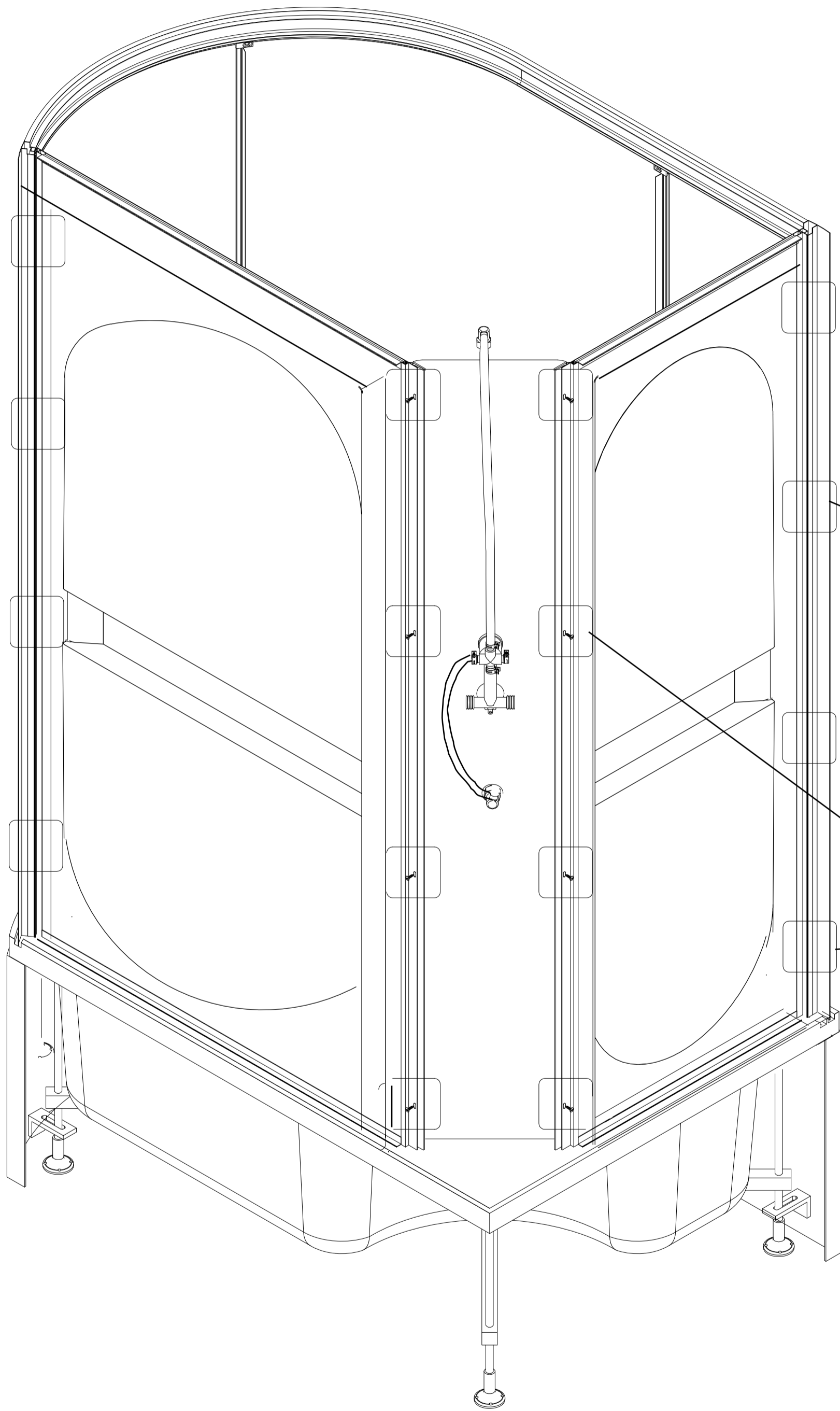












ST4X10=16

